



Product Manual

Thank you for purchasing a *Kapoor Lamp Shade* product! This manual will provide you the details of your lighting fixture and hopefully guide you easily through the installation process. We aim to inspire and illuminate our clients by offering trendy, high-quality, and affordable lighting. Welcome to the community of #kapoorlampshades

www.kapoorlampshades.com





Etching Metal Pendant Light

Product code: PENFMT2000

Flaunting A Beautiful Shape of a Drop, These Pendants Will Give Stylish Touch to Your Home Decor. These Pendant Lamps Will Not Only Illuminate Your Home Decor but Also Decorate It with Their Immense Beauty and Stunning Appeal.

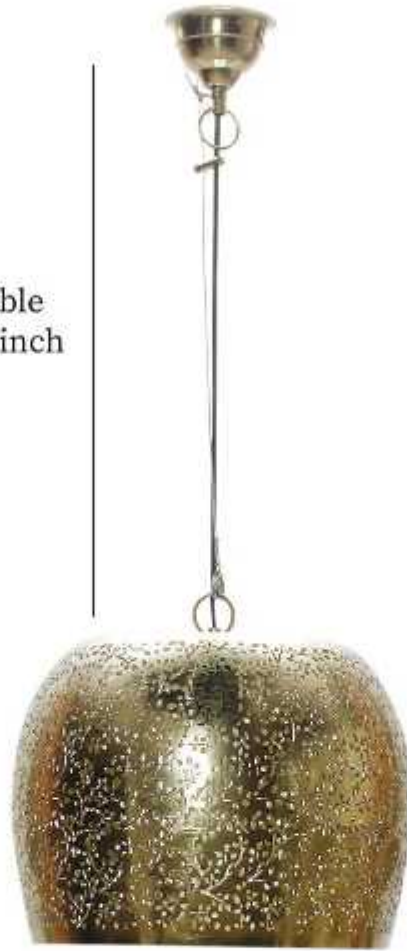
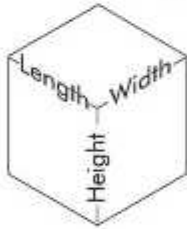
Product Specifications

Pack Content: 1 Pendant Light	Lighting Part: – Bulb
Dimensions (Inch): Length: 13.7, Width: 13.7, Height: 59	Weight: 2 Kg
Height minimum (Inch): 12	Base Material: Metal
Height maximum (Inch): 59	Base Colour: Brass
Holder & Type: E-27 Holder	Wire Length: 1.5 Meter
Bulb Recommended: 40 W	Adjustable in height: Yes
Bulb Included: No	Warranty: 6 months only manufacturing defect
Number of Bulb Required: – 1 Pc	Including installation materials: Yes

Dimensions

Adjustable
up to 59 inch

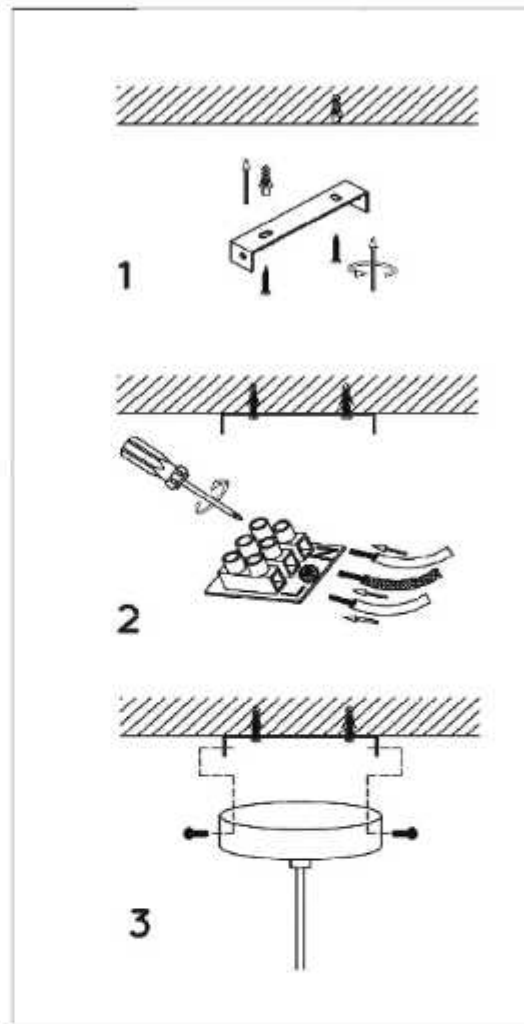
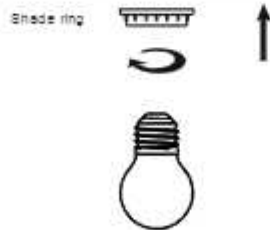
11.4 inch



13.7 inch

Kapoor
LAMP SHADES

www.kapoorlampshades.com





IMPORTANT SAFETY INSTRUCTIONS

These instructions are provided for your safety. Please read carefully and completely before beginning the assembly and installation of this lighting fixture.

- This lighting fixture is intended for indoor use only.
- Always place lighting fixture on a solid, level surface.
- For use with E27 (medium) base light bulbs only.
- To avoid the risk of fire, do not exceed the maximum wattage of 100W incandescent bulb, or 9W LED bulb, or 23W fluorescent (CFL) bulb, or 9W self-ballasted LED bulb. (Bulbs not included)

WARNINGS:

- To reduce the risk of fire, electrical shock, or personal injury: always turn off and unplug this lighting fixture and allow it to cool before attempting to replace the light bulb.
- Do not touch light bulb while fixture is turned on.
- Keep flammable materials away from this lighting fixture.
- Never look directly at a lit bulb.

CARE INSTRUCTIONS:

- Unplug lamp before cleaning.
- Wipe clean with a soft, dry cloth or static duster.
- Always avoid the use of harsh chemicals or abrasive cleaners as they may cause damage to the fixture's finish 1

Warranty declaration: KLS offers warranty against manufacturing defects for the period of 1 year from the date of purchase by the end user if the item is installed and maintained properly as mentioned in the user manual.

Exclusions for the warranty:

1. Broken glass parts of the fixture
2. Normal wear and tear, discolouring as a result from normal use.
3. Damage caused by external causes like fire, water, wrong use/ installation, or maintenance of the product.
4. Consequential damages, if any.



www.kapoorlampshades.com

e-com@kapoorlampshade.com

Tel: +91 9205511559