



Product Manual

Thank you for purchasing a *Kapoor Lamp Shade* product! This manual will provide you the details of your lighting fixture and hopefully guide you easily through the installation process. We aim to inspire and illuminate our clients by offering trendy, high-quality, and affordable lighting. Welcome to the community of #kapoorlampshades

www.kapoorlampshades.com





Liebe Shade Wood & Metal Hanging Pendant Light

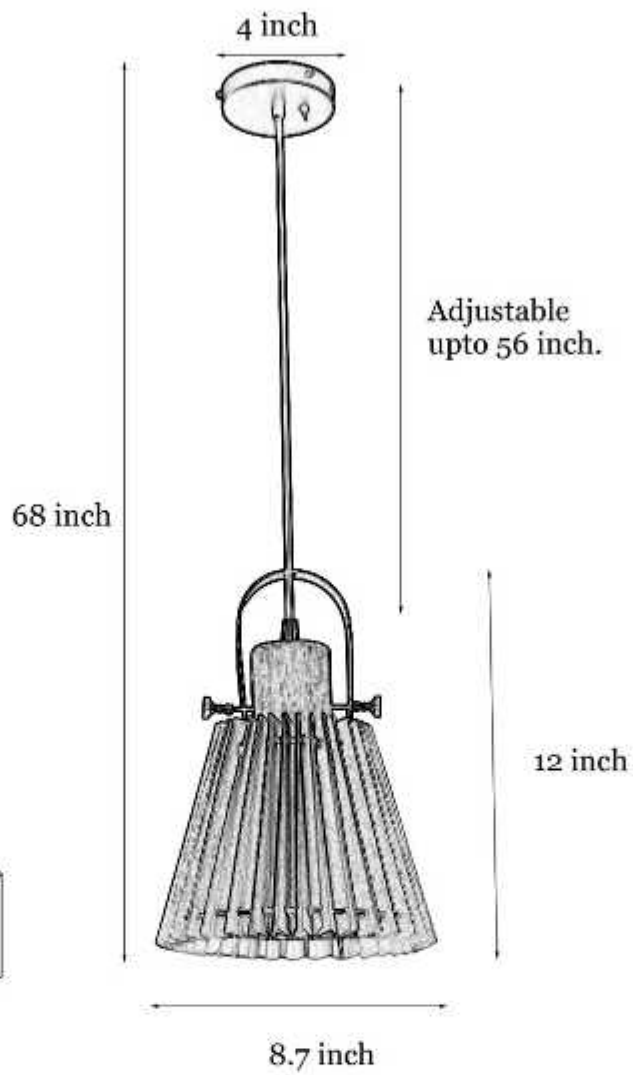
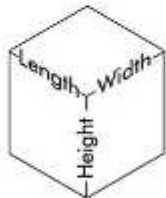
Product code: PENGL2101

This stylish design inspired by the industrial era will compliment your room and provide the illumination you need, perfect for modern or traditional spaces. It can be placed singly or in a group of two or more to add more visual impact. Ideal for kitchen islands or dining tables. These Pendants Will Give Stylish Touch To Your Home Decor. Rugged and cool at the same time. Close to Mother Nature, enhancing looks of the overall place where it will be fitted. Crafted from Metal, Wood & Fabric. Black PVC Cable. Height adjustable at point of installation.

Product Specifications

Pack Content: 1 Pendant Light	Lighting Part: – Bulb
Model Number: PENGL2101	Weight: 0.8 Kg
Dimensions (Inch): Length: 7.6, Width: 7.6, Height: 12	Base Material: Metal, Wood & Fabric
Height minimum (Inch): 12	Base Colour: Beige
Height maximum (Inch): 51	Wire Length: 1.5 Meter
Holder & Type: E-27 Holder	Adjustable in height: Yes
Bulb Recommended: 40 W	Warranty: 6 months only manufacturing defect
Bulb Included: No	Including installation materials: Yes
Number of Bulb Required: – 1 Pc	

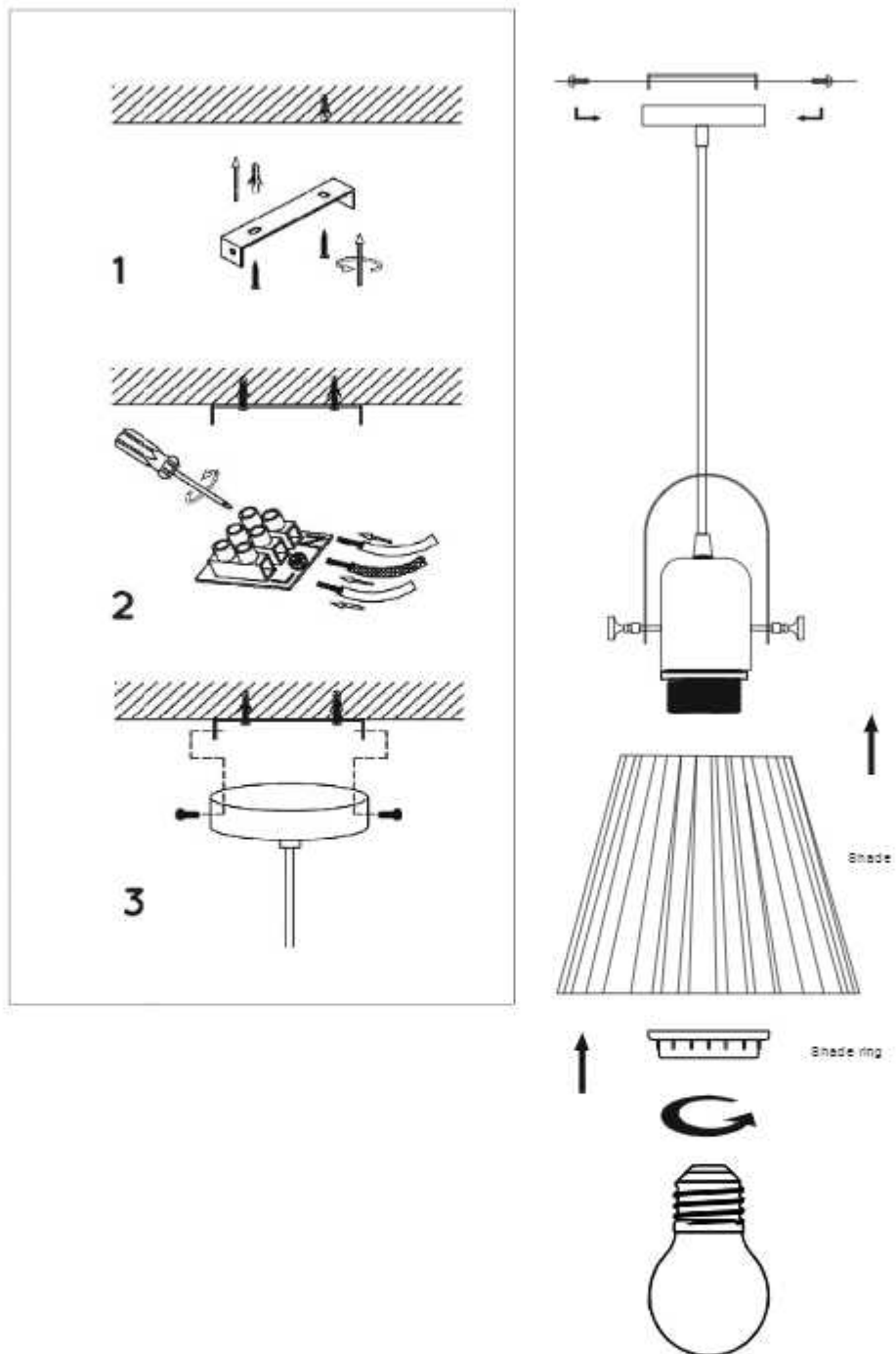
Dimensions



Kapoor
LAMP SHADES

www.kapoorlampshades.com

Installation Specifications



Kapoor
LAMP SHADES

www.kapoorlampshades.com



IMPORTANT SAFETY INSTRUCTIONS

These instructions are provided for your safety. Please read carefully and completely before beginning the assembly and installation of this lighting fixture.

- This lighting fixture is intended for indoor use only.
- Always place lighting fixture on a solid, level surface.
- For use with E27 (medium) base light bulbs only.
- To avoid the risk of fire, do not exceed the maximum wattage of 100W incandescent bulb, or 9W LED bulb, or 23W fluorescent (CFL) bulb, or 9W self-ballasted LED bulb. (Bulbs not included)

WARNINGS:

- To reduce the risk of fire, electrical shock, or personal injury: always turn off and unplug this lighting fixture and allow it to cool before attempting to replace the light bulb.
- Do not touch light bulb while fixture is turned on.
- Keep flammable materials away from this lighting fixture.
- Never look directly at a lit bulb.

CARE INSTRUCTIONS:

- Unplug lamp before cleaning.
- Wipe clean with a soft, dry cloth or static duster.
- Always avoid the use of harsh chemicals or abrasive cleaners as they may cause damage to the fixture's finish 1

Warranty declaration: KLS offers warranty against manufacturing defects for the period of 1 year from the date of purchase by the end user if the item is installed and maintained properly as mentioned in the user manual.

Exclusions for the warranty:

1. Broken glass parts of the fixture
2. Normal wear and tear, discolouring as a result from normal use.
3. Damage caused by external causes like fire, water, wrong use/ installation, or maintenance of the product.
4. Consequential damages, if any.



www.kapoorlampshades.com

e-com@kapoorlampshade.com

Tel: +91 9205511559