



Product Manual

Thank you for purchasing a *Kapoor Lamp Shade* product! This manual will provide you the details of your lighting fixture and hopefully guide you easily through the installation process. We aim to inspire and illuminate our clients by offering trendy, high-quality, and affordable lighting. Welcome to the community of #kapoorlampshades

www.kapoorlampshades.com





Opaline Globe Cluster Round Hanging Pendant Light

Product code: PENG2699

This stylish design inspired by the industrial era will compliment your room and provide the illumination you need, perfect for modern or traditional spaces. Brighten your living space with our Opine Globe Single Pendant. Constructed of Amber Luster glass and metal with a Brass finish, for an industrial and modern update to any home. making these lights ideal for your table or workspace. Black Fabric Cable. Height adjustable at point of installation.

Product Specifications

Pack Content: 1 Pendant Light

Model Number: PENG2699

Dimensions (Inch): Length: 9, Width: 9,
Height: 12

Height minimum (Inch): 12

Height maximum (Inch): 51

Holder & Type: E-27 Holder

Bulb Recommended: 40 W

Bulb Included: No

Number of Bulb Required: – 1 Pc

Lighting Part: – Bulb

Weight: 1 Kg

Base Material: Glass & Metal

Base Colour: Amber

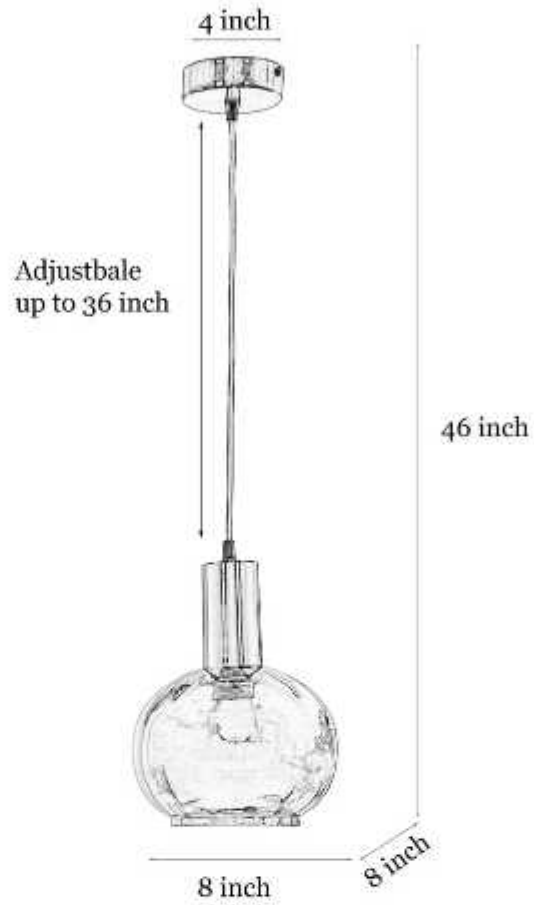
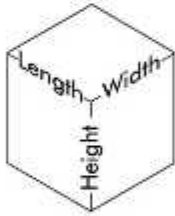
Wire Length: 1.5 Meter

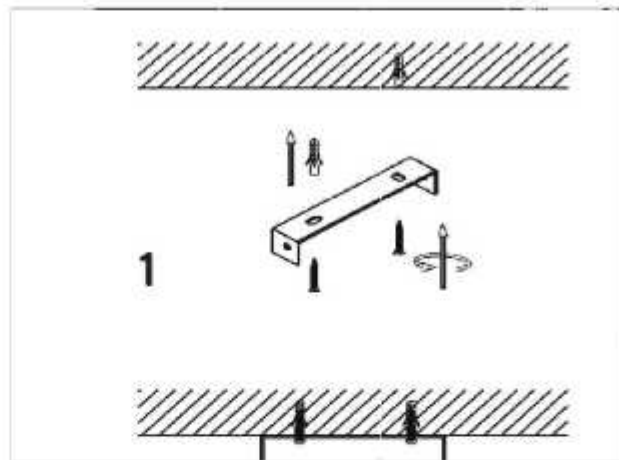
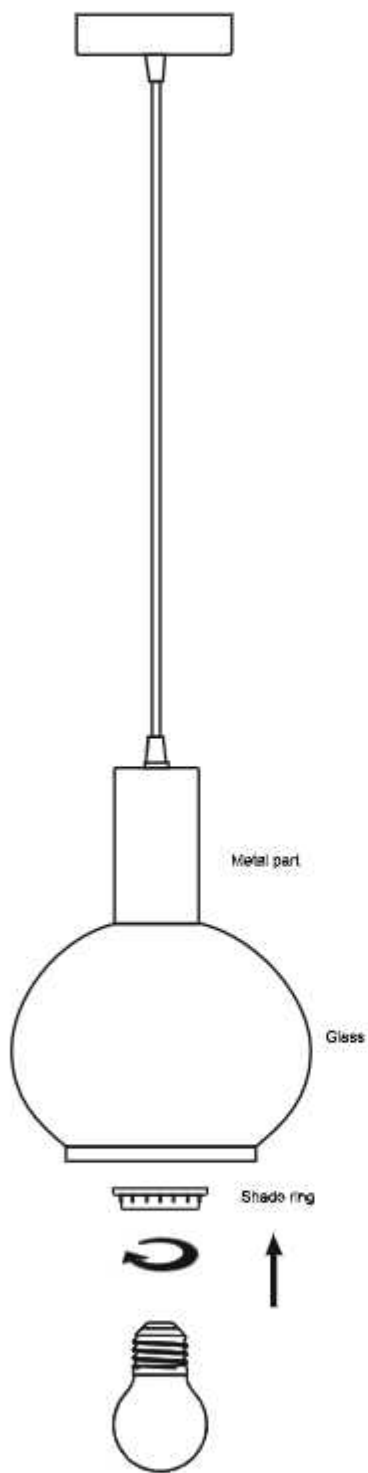
Adjustable in height: Yes

Warranty: 6 months only manufacturing
defect

Including installation materials: Yes

Dimensions







IMPORTANT SAFETY INSTRUCTIONS

These instructions are provided for your safety. Please read carefully and completely before beginning the assembly and installation of this lighting fixture.

- This lighting fixture is intended for indoor use only.
- Always place lighting fixture on a solid, level surface.
- For use with E27 (medium) base light bulbs only.
- To avoid the risk of fire, do not exceed the maximum wattage of 100W incandescent bulb, or 9W LED bulb, or 23W fluorescent (CFL) bulb, or 9W self-ballasted LED bulb. (Bulbs not included)

WARNINGS:

- To reduce the risk of fire, electrical shock, or personal injury: always turn off and unplug this lighting fixture and allow it to cool before attempting to replace the light bulb.
- Do not touch light bulb while fixture is turned on.
- Keep flammable materials away from this lighting fixture.
- Never look directly at a lit bulb.

CARE INSTRUCTIONS:

- Unplug lamp before cleaning.
- Wipe clean with a soft, dry cloth or static duster.
- Always avoid the use of harsh chemicals or abrasive cleaners as they may cause damage to the fixture's finish 1

Warranty declaration: KLS offers warranty against manufacturing defects for the period of 1 year from the date of purchase by the end user if the item is installed and maintained properly as mentioned in the user manual.

Exclusions for the warranty:

1. Broken glass parts of the fixture
2. Normal wear and tear, discolouring as a result from normal use.
3. Damage caused by external causes like fire, water, wrong use/ installation, or maintenance of the product.
4. Consequential damages, if any.



www.kapoorlampshades.com

e-com@kapoorlampshade.com

Tel: +91 9205511559