



Product Manual

Thank you for purchasing a *Kapoor Lamp Shade* product! This manual will provide you the details of your lighting fixture and hopefully guide you easily through the installation process. We aim to inspire and illuminate our clients by offering trendy, high-quality, and affordable lighting. Welcome to the community of #kapoorlampshades

www.kapoorlampshades.com





Gosse Mosaic Glass Hanging Light

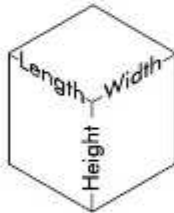
Product code: PENGM2955

Bring an exquisite glimmering essence to your living space with the captivating Gosse Mosaic Glass Hanging Light. Expertly crafted, this ornamental masterpiece seamlessly merges timeless style with modern functionality. Crafted with meticulous attention to detail, each mosaic glass piece adorning this mesmerizing pendant lamp has been carefully handcrafted by skilled artisans.

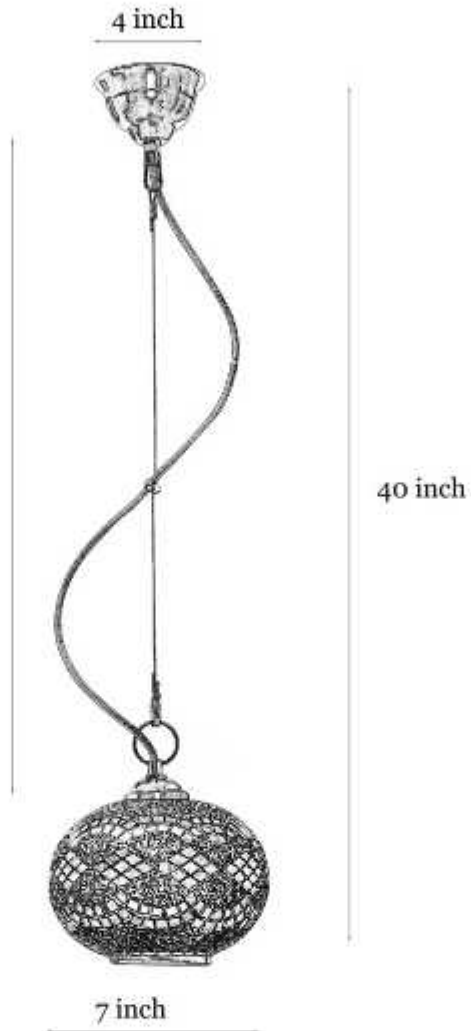
Product Specifications

Adjustable in height: Yes	Knock Down: No
Height minimum (Inch): 9	Wire Length: 3.5 Meters
Height maximum (Inch): 58	Wire material: PVC
Base Material: Glass	Warranty: 6 Months
Base Colour: Multi	Dimmable: No
Holder Type: E27 Holder	Sensor: No
Plug Type: 2 Pin Plug	Including installation materials: Yes
Bulb Recommended: 40 Watt Incandescent Bulb	Package Contents: 1 Pc Pendant Light
Voltage: 220	Product Net Weight (gm): 1000
Bulb Included: No	
Number of Bulb Required: 1 Bulb	
Lighting Part: Bulb	
Control: N/A	

Dimensions

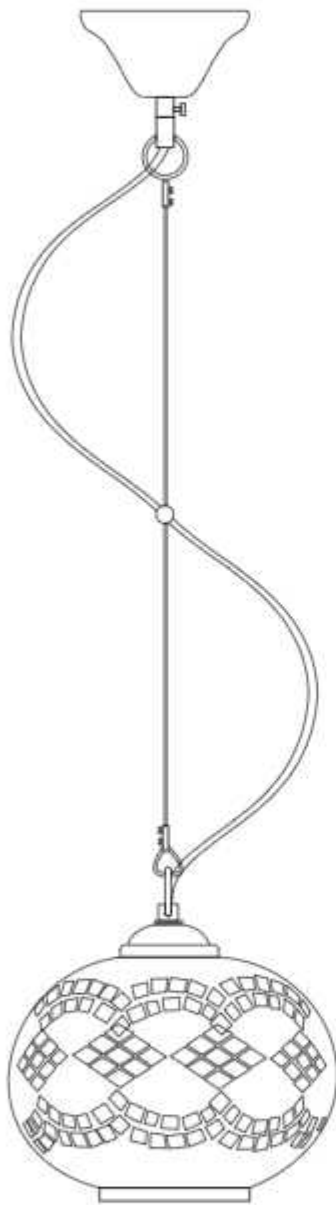


Adjustable
up to 36 inch

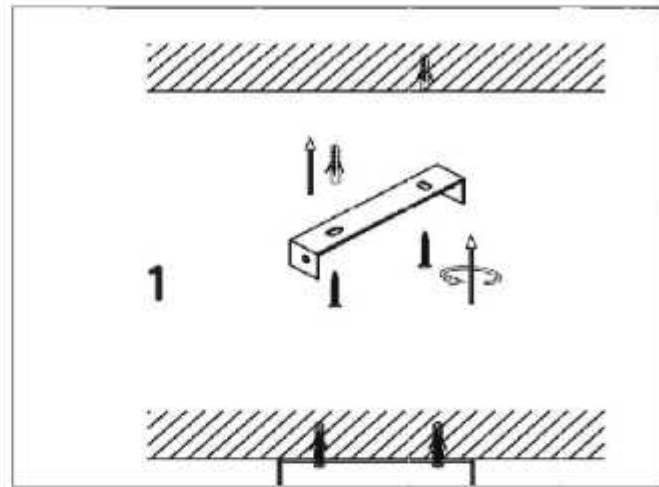


Kapoor
LAMP SHADES

www.kapoorlampshades.com



Glass Pendant





IMPORTANT SAFETY INSTRUCTIONS

These instructions are provided for your safety. Please read carefully and completely before beginning the assembly and installation of this lighting fixture.

- This lighting fixture is intended for indoor use only.
- Always place lighting fixture on a solid, level surface.
- For use with E27 (medium) base light bulbs only.
- To avoid the risk of fire, do not exceed the maximum wattage of 100W incandescent bulb, or 9W LED bulb, or 23W fluorescent (CFL) bulb, or 9W self-ballasted LED bulb. (Bulbs not included)

WARNINGS:

- To reduce the risk of fire, electrical shock, or personal injury: always turn off and unplug this lighting fixture and allow it to cool before attempting to replace the light bulb.
- Do not touch light bulb while fixture is turned on.
- Keep flammable materials away from this lighting fixture.
- Never look directly at a lit bulb.

CARE INSTRUCTIONS:

- Unplug lamp before cleaning.
- Wipe clean with a soft, dry cloth or static duster.
- Always avoid the use of harsh chemicals or abrasive cleaners as they may cause damage to the fixture's finish 1

Warranty declaration: KLS offers warranty against manufacturing defects for the period of 1 year from the date of purchase by the end user if the item is installed and maintained properly as mentioned in the user manual.

Exclusions for the warranty:

1. Broken glass parts of the fixture
2. Normal wear and tear, discolouring as a result from normal use.
3. Damage caused by external causes like fire, water, wrong use/ installation, or maintenance of the product.
4. Consequential damages, if any.



www.kapoorlampshades.com

e-com@kapoorlampshade.com

Tel: +91 9205511559