



Product Manual

Thank you for purchasing a *Kapoor Lamp Shade* product! This manual will provide you the details of your lighting fixture and hopefully guide you easily through the installation process. We aim to inspire and illuminate our clients by offering trendy, high-quality, and affordable lighting. Welcome to the community of #kapoorlampshades

www.kapoorlampshades.com





Metal & Glass Table Lamp with Cotton White Shade

Product code: TABIDNALU40850

Impart A Rich Look and Trendy Style to Your Table Lighting with Our Stylish Range of Colonial Lamps. These Lamps Not Only Illuminate Your Table Space but Also Gives It a Classy Look. With A Compact Shape and Beautiful Make, These Lamps Are Easy to Keep on Any Table by Saving the Floor Space.

Product Specifications

Pack Content: 1 Table Lamp with Shade	Bulb Included: No
Dimensions (Inch): Length: 14, Width: 14, Height: 25	Number of Bulb Required: – 1 Bulb
Base Material: Metal & Glass	Lighting Part: – LED/ CFL /Bulb
Base Colour: Brass	Control: On/Off foot Switch – In the Cord
Shade Material: Cotton	Weight: 2.8 Kg
Shade Colour: White	Cable: Yes, Cable with Plug on Product
Cable material: PVC	Cable Length: 1.5 Meter
Holder & Type: E-27 Holder	Adjustable in height: Not In Height
Bulb Recommended: 40 W	Adjustable
Voltage: 230 V	Warranty: 6 months only manufacturing defect
Knock Down: No	Including installation materials: Yes

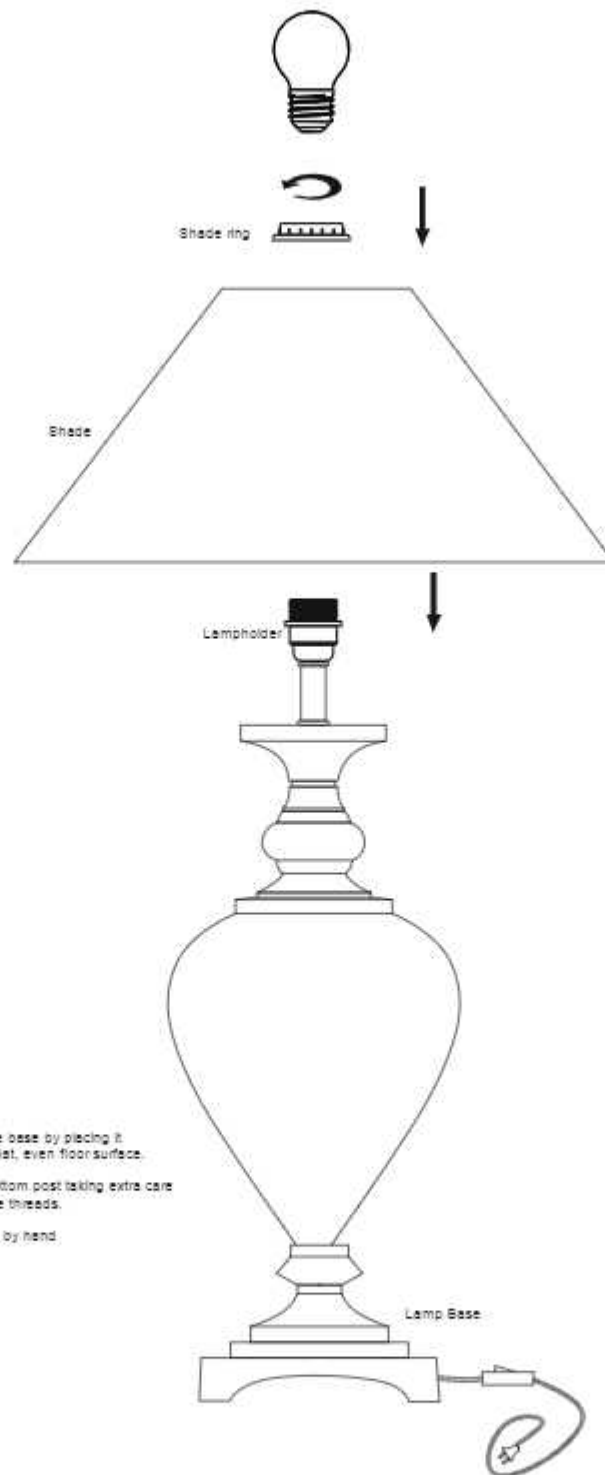
Product Dimensions



Kapoor
LAMP SHADES

www.kapoorlampshades.com

Installation Specifications



Bring with the base by placing it upright on a flat, even floor surface.

Attach the bottom post taking extra care not to strip the threads.

Tighten firmly by hand.

Kapoor
LAMP SHADES

www.kapoorlampshades.com



IMPORTANT SAFETY INSTRUCTIONS

These instructions are provided for your safety. Please read carefully and completely before beginning the assembly and installation of this lighting fixture.

- This lighting fixture is intended for indoor use only.
- Always place lighting fixture on a solid, level surface.
- For use with E27 (medium) base light bulbs only.
- To avoid the risk of fire, do not exceed the maximum wattage of 100W incandescent bulb, or 9W LED bulb, or 23W fluorescent (CFL) bulb, or 9W self-ballasted LED bulb. (Bulbs not included)

WARNINGS:

- To reduce the risk of fire, electrical shock, or personal injury: always turn off and unplug this lighting fixture and allow it to cool before attempting to replace the light bulb.
- Do not touch light bulb while fixture is turned on.
- Keep flammable materials away from this lighting fixture.
- Never look directly at a lit bulb.

CARE INSTRUCTIONS:

- Unplug lamp before cleaning.
- Wipe clean with a soft, dry cloth or static duster.
- Always avoid the use of harsh chemicals or abrasive cleaners as they may cause damage to the fixture's finish 1

Warranty declaration: KLS offers warranty against manufacturing defects for the period of 1 year from the date of purchase by the end user if the item is installed and maintained properly as mentioned in the user manual.

Exclusions for the warranty:

1. Broken glass parts of the fixture
2. Normal wear and tear, discolouring as a result from normal use.
3. Damage caused by external causes like fire, water, wrong use/ installation, or maintenance of the product.
4. Consequential damages, if any.



www.kapoorlampshades.com

e-com@kapoorlampshade.com

Tel: +91 9205511559