



Product Manual

Thank you for purchasing a *Kapoor Lamp Shade* product! This manual will provide you the details of your lighting fixture and hopefully guide you easily through the installation process. We aim to inspire and illuminate our clients by offering trendy, high-quality, and affordable lighting. Welcome to the community of #kapoorlampshades

www.kapoorlampshades.com





Topeka Table Lamp

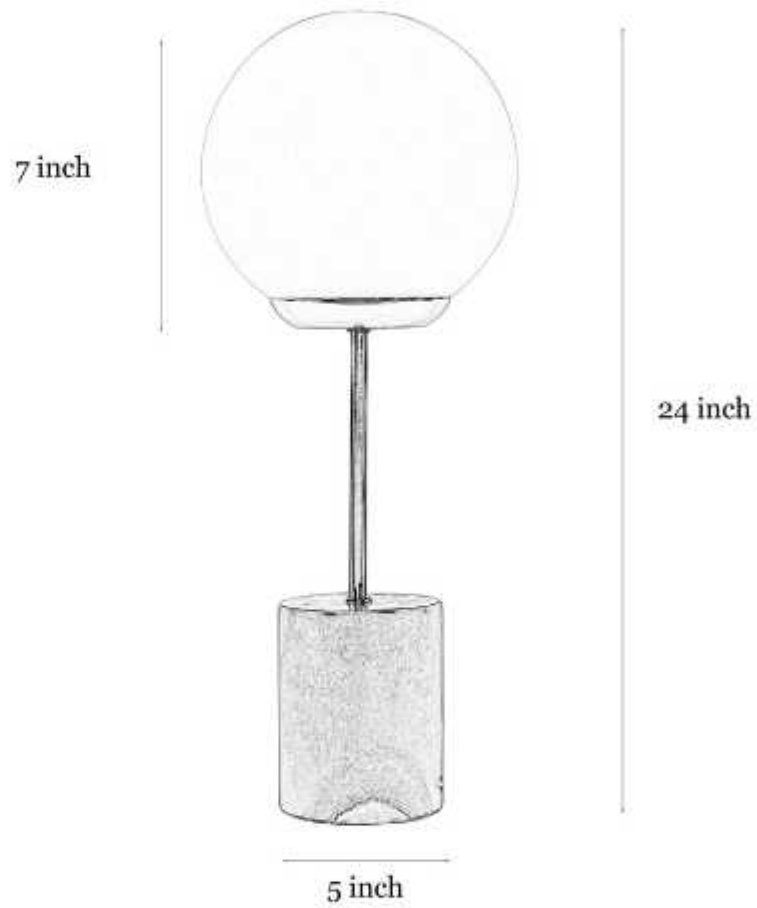
Product code: **TABON2041**

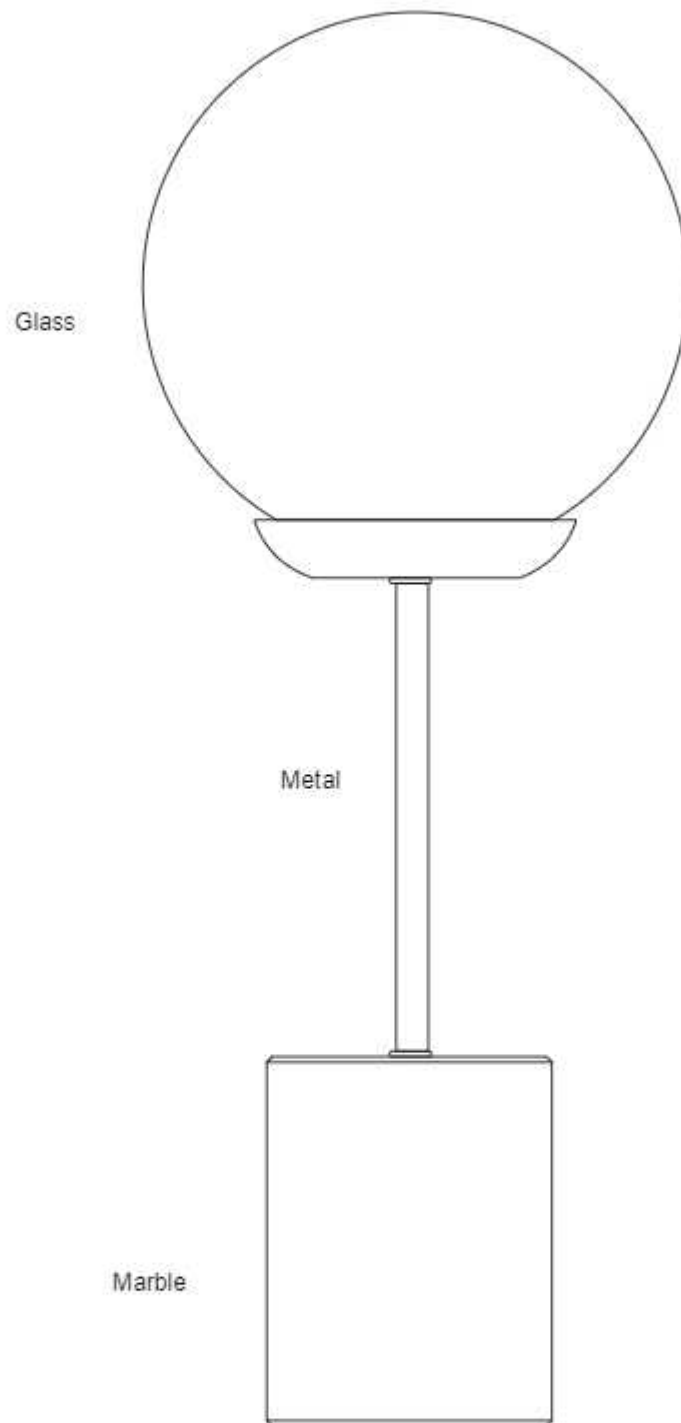
Topeka Table Lamp More than just illumination for your abode, table lamps lend an artful appeal to your space as they shine. Try adding to your nightstand to give the master suite a mini makeover, or stage atop the entryway console to greet guests with a warm glow. Take this one for example; simple, yet stylish.

Product Specifications

Adjustable in height: No	Lighting Part: Incandescent Bulb, LED
Base Material: Marble, Metal & Glass	Control: On/Off Switch
Base Colour: Black & White	Knock Down: No
Shade Material: N/A	Wire Length: 1.5 Meters
Shade Colour: N/A	Wire material: PVC
Shade Dimensions (Inch): N/A	Warranty: 6 Months
Holder Type: E27 Holder	Dimmable: No
Plug Type: 2 Pin Plug	Sensor: NO
Bulb Recommended: 40 Watt Incandescent	Including installation materials: Yes
Voltage : 220-240	Package Contents: 1 Pc Table Lamp & 1 Pc Shade
Bulb Included: No	Product Net Weight (gm): 2500
Number of Bulb Required: 1 Bulb	

Dimensions







IMPORTANT SAFETY INSTRUCTIONS

These instructions are provided for your safety. Please read carefully and completely before beginning the assembly and installation of this lighting fixture.

- This lighting fixture is intended for indoor use only.
- Always place lighting fixture on a solid, level surface.
- For use with E27 (medium) base light bulbs only.
- To avoid the risk of fire, do not exceed the maximum wattage of 100W incandescent bulb, or 9W LED bulb, or 23W fluorescent (CFL) bulb, or 9W self-ballasted LED bulb. (Bulbs not included)

WARNINGS:

- To reduce the risk of fire, electrical shock, or personal injury: always turn off and unplug this lighting fixture and allow it to cool before attempting to replace the light bulb.
- Do not touch light bulb while fixture is turned on.
- Keep flammable materials away from this lighting fixture.
- Never look directly at a lit bulb.

CARE INSTRUCTIONS:

- Unplug lamp before cleaning.
- Wipe clean with a soft, dry cloth or static duster.
- Always avoid the use of harsh chemicals or abrasive cleaners as they may cause damage to the fixture's finish 1

Warranty declaration: KLS offers warranty against manufacturing defects for the period of 1 year from the date of purchase by the end user if the item is installed and maintained properly as mentioned in the user manual.

Exclusions for the warranty:

1. Broken glass parts of the fixture
2. Normal wear and tear, discolouring as a result from normal use.
3. Damage caused by external causes like fire, water, wrong use/ installation, or maintenance of the product.
4. Consequential damages, if any.



www.kapoorlampshades.com

e-com@kapoorlampshade.com

Tel: +91 9205511559