



Product Manual

Thank you for purchasing a *Kapoor Lamp Shade* product! This manual will provide you the details of your lighting fixture and hopefully guide you easily through the installation process. We aim to inspire and illuminate our clients by offering trendy, high-quality, and affordable lighting. Welcome to the community of #kapoorlampshades

www.kapoorlampshades.com





Bamberg 2 Classic Picture Light

Product code: WALPICMET2314

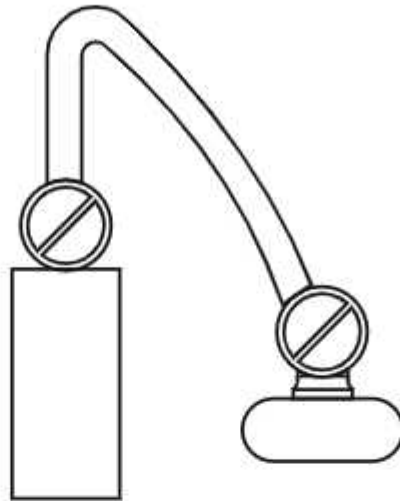
Enhance The Beauty of Your Favourite Pictures or Art Prints by Dressing the Walls of Your Rooms with These Pictures Lights Available In Different Sizes And Shapes. With These Picture Lights, Your Painting and Art Works Will Stand Out and Will Surely Grab Attention of Your Guests.

Product Specifications

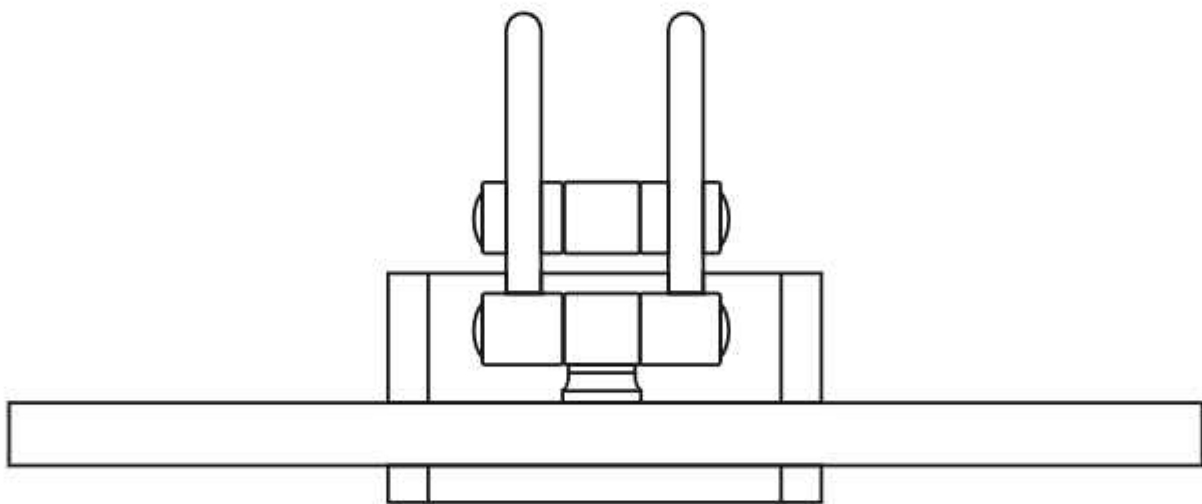
| | |
|--|---|
| Pack Content: 1 Picture Light | Weight: 0.3 Kg |
| Model Number: WALPICMET2314 | Base Material: Metal |
| Dimensions (Inch): Length: 9, Width: 6, Height: 4 | Base Colour: Antique Brass |
| Holder Type: G4 Holder | Cable material: PVC |
| Bulb Recommended: 3 W | Cable: Yes, Cable on Product |
| Bulb Included: Yes | Cable Length: 0.25 Meter |
| Number of Bulb Required: – 2 Pcs | Adjustable in height: Not in Height |
| Voltage: 230 V | Adjustable |
| Lighting Part: – LED/Bulb | Warranty: 6 months only manufacturing defect |
| Control: No | Including installation materials: Yes |

Product Dimensions





Side view



Front view



IMPORTANT SAFETY INSTRUCTIONS

These instructions are provided for your safety. Please read carefully and completely before beginning the assembly and installation of this lighting fixture.

- This lighting fixture is intended for indoor use only.
- Always place lighting fixture on a solid, level surface.
- For use with E27 (medium) base light bulbs only.
- To avoid the risk of fire, do not exceed the maximum wattage of 100W incandescent bulb, or 9W LED bulb, or 23W fluorescent (CFL) bulb, or 9W self-ballasted LED bulb. (Bulbs not included)

WARNINGS:

- To reduce the risk of fire, electrical shock, or personal injury: always turn off and unplug this lighting fixture and allow it to cool before attempting to replace the light bulb.
- Do not touch light bulb while fixture is turned on.
- Keep flammable materials away from this lighting fixture.
- Never look directly at a lit bulb.

CARE INSTRUCTIONS:

- Unplug lamp before cleaning.
- Wipe clean with a soft, dry cloth or static duster.
- Always avoid the use of harsh chemicals or abrasive cleaners as they may cause damage to the fixture's finish 1

Warranty declaration: KLS offers warranty against manufacturing defects for the period of 1 year from the date of purchase by the end user if the item is installed and maintained properly as mentioned in the user manual.

Exclusions for the warranty:

1. Broken glass parts of the fixture
2. Normal wear and tear, discolouring as a result from normal use.
3. Damage caused by external causes like fire, water, wrong use/ installation, or maintenance of the product.
4. Consequential damages, if any.



www.kapoorlampshades.com

e-com@kapoorlampshade.com

Tel: +91 9205511559