



Product Manual

Thank you for purchasing a *Kapoor Lamp Shade* product! This manual will provide you the details of your lighting fixture and hopefully guide you easily through the installation process. We aim to inspire and illuminate our clients by offering trendy, high-quality, and affordable lighting. Welcome to the community of #kapoorlampshades

www.kapoorlampshades.com





Aberdeenshire Glass & Shiny Brass Wall Light

Product code: WLGM2545

Add a modern touch and a warm glow to any corner of your home, without taking up floor space, with this one-light armed sconce. Crafted from metal & glass in a versatile solid finish, this fixture features a backplate and an angular arm for a streamlined look.

Product Specifications

Pack Content: 1 Wall Light

Model Number: WLGM2545

Dimensions (Inch): Length: 8, Width: 5,
Height: 9

Base Colour: Brass

Cable material: PVC

Holder Type: E-14 Holder

Cable: Yes, Cable On Product

Bulb Recommended: 40 W

Cable Length: 0.25 Meter

Bulb Included: No

Adjustable in height: Not In Height

Number of Bulb Required: – 1 Pc

Adjustable

Voltage: 230 V

Warranty: 6 months only manufacturing defect

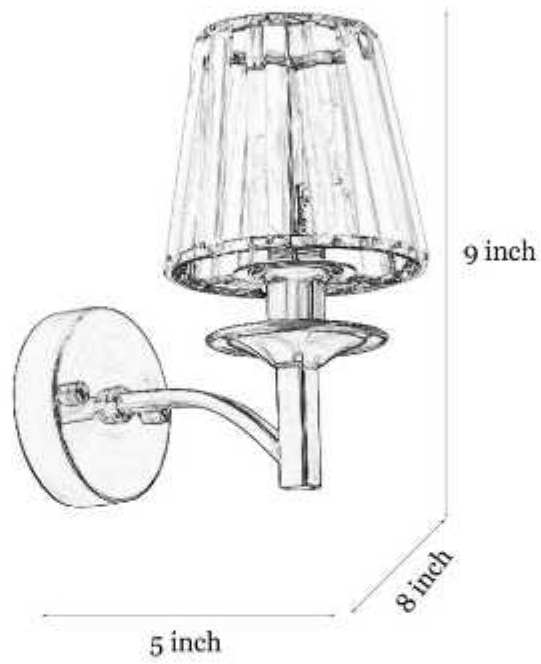
Lighting Part: – LED/ Bulb

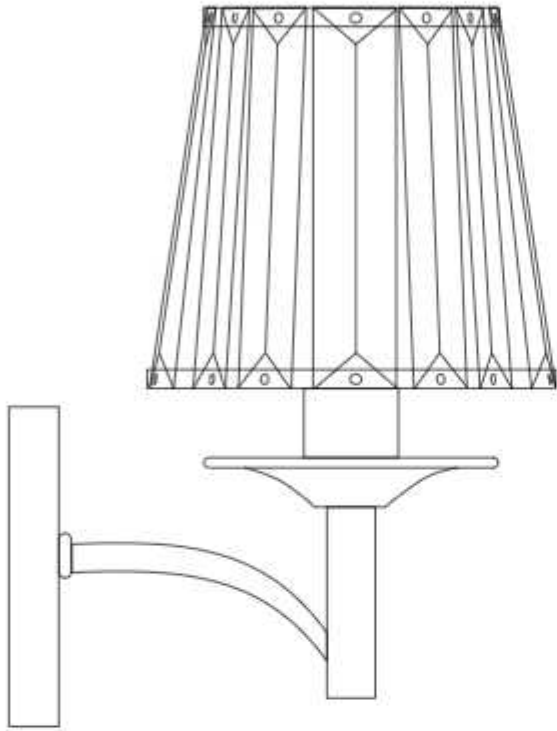
Weight: 0.7 Kg

Including installation materials: Yes

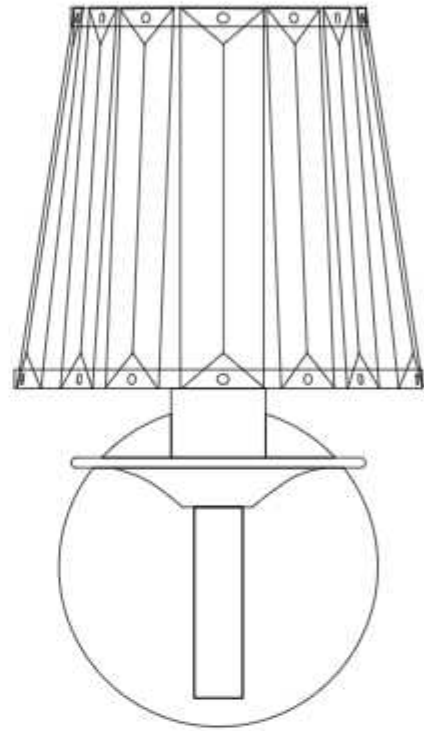
Base Material: Metal & Glass

Dimensions





Side View



Front View



IMPORTANT SAFETY INSTRUCTIONS

These instructions are provided for your safety. Please read carefully and completely before beginning the assembly and installation of this lighting fixture.

- This lighting fixture is intended for indoor use only.
- Always place lighting fixture on a solid, level surface.
- For use with E14 (medium) base light bulbs only.
- To avoid the risk of fire, do not exceed the maximum wattage of 100W incandescent bulb, or 9W LED bulb, or 23W fluorescent (CFL) bulb, or 9W self-ballasted LED bulb. (Bulbs not included)

WARNINGS:

- To reduce the risk of fire, electrical shock, or personal injury: always turn off and unplug this lighting fixture and allow it to cool before attempting to replace the light bulb.
- Do not touch light bulb while fixture is turned on.
- Keep flammable materials away from this lighting fixture.
- Never look directly at a lit bulb.

CARE INSTRUCTIONS:

- Unplug lamp before cleaning.
- Wipe clean with a soft, dry cloth or static duster.
- Always avoid the use of harsh chemicals or abrasive cleaners as they may cause damage to the fixture's finish 1

Warranty declaration: KLS offers warranty against manufacturing defects for the period of 1 year from the date of purchase by the end user if the item is installed and maintained properly as mentioned in the user manual.

Exclusions for the warranty:

1. Broken glass parts of the fixture
2. Normal wear and tear, discolouring as a result from normal use.
3. Damage caused by external causes like fire, water, wrong use/ installation, or maintenance of the product.
4. Consequential damages, if any.



www.kapoorlampshades.com

e-com@kapoorlampshade.com

Tel: +91 9205511559